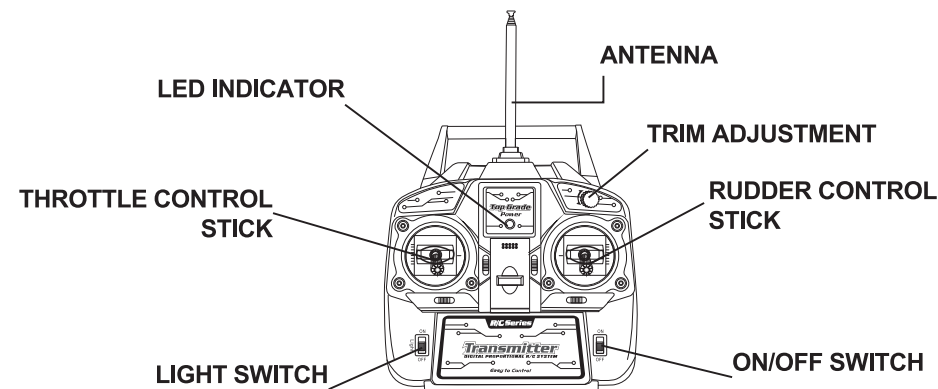


SPARROW

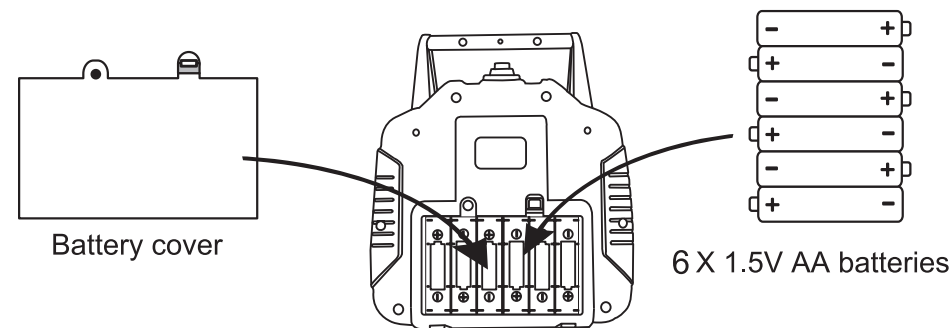
3.5CH GYRO METAL RC HELICOPTER

TRANSMITTER COMPONENTS



TRANSMITTER BATTERY INSTALLATION

- 1.) Remove Battery Cover from the back of the Transmitter.
- 2.) Install 6x AA Batteries and place Battery Cover on (NOTE: Battery Polarity).



***NOTE:** When the Transmitter is Powered ON, the Indicator LED will be RED. If the Indicator LED of the Transmitter is Blinking, the batteries are LOW. Immediately change batteries.

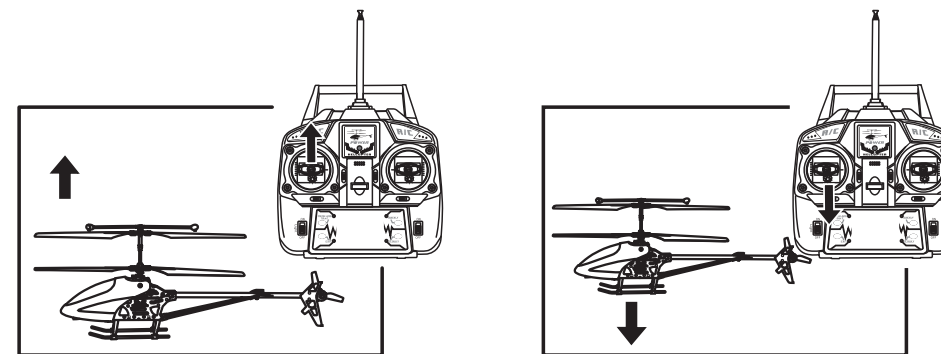
BIND HELICOPTER TO TRANSMITTER

- 1.) Turn ON the Transmitter
- 2.) Turn ON the Helicopter
- 3.) Place the Helicopter on level ground
- 4.) When the Helicopter receives the Transmitter Signal, it will Light Up.

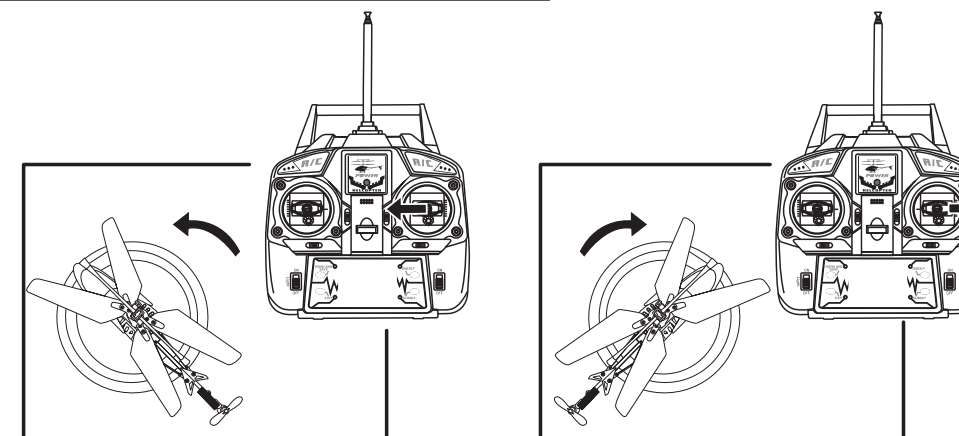
HELICOPTER FLIGHT CONTROLS

NOTE: Operate Helicopter with Fresh Transmitter Batteries & Fully Charged Helicopter Battery. Low Battery Power will cause a loss of range and control.

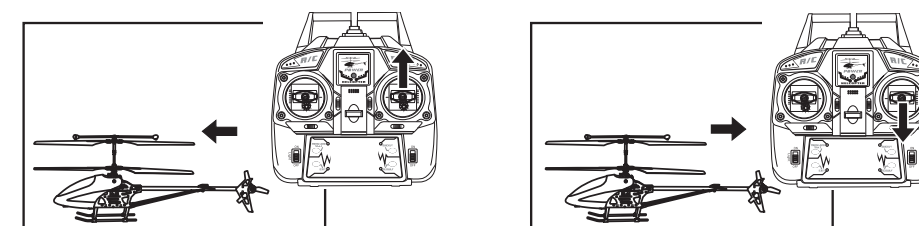
FLY UP & DOWN



ROTATE LEFT & RIGHT

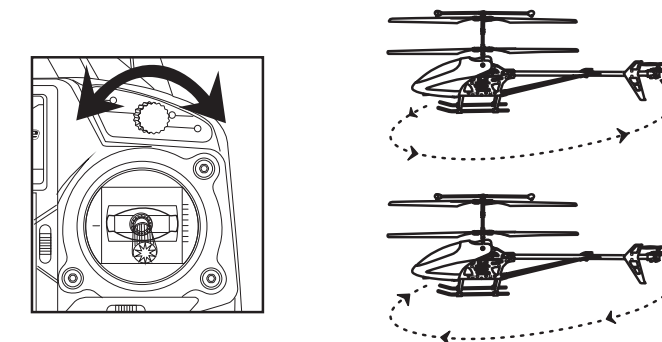


FLY FORWARD & BACKWARD



TRIM ADJUSTMENT

If the Helicopter is rotating on its own, rotate the Trim Adjustment Knob until the Helicopter hovers steady.



CHARGING

1. Connect the Balance Charger to the Helicopter Battery and A/C Adaptor. The LED light on the Balance Charger will light up. (Fig.3)
2. Connect the A/C Adaptor plug into the wall power outlet. The LED will turn ON while charging. The LED will turn off once charge is complete.
3. Charge time will take 2-3 hours.

NOTICE

- Do not leave helicopter unattended while charging.
- Wait 30 minutes after flight for battery to cool down before recharging.
- Only use the supplied A/C adaptor and balance charger for charging.

TROUBLESHOOTING

Problem	Cause	Solution
The Transmitter indicator LED does not work	Batteries installed with the wrong polarity.	Check the polarity of the batteries and install them Correctly.
	Batteries are drained.	Install new batteries.
No control of the helicopter	Helicopter is not receiving signal from transmitter.	Extend Antenna to full length.
	Windy Conditions.	Fly helicopter in calm conditions.
Helicopter is not flying high enough	Helicopter is not receiving signal from transmitter correctly.	Test the control functions of the helicopter in a hover by applying light throttle and testing left and right controls.
	Rotor speed is too slow.	Push Left Control Stick up for more rotor speed.
	Batteries are drained.	Fully charge helicopter before use.