

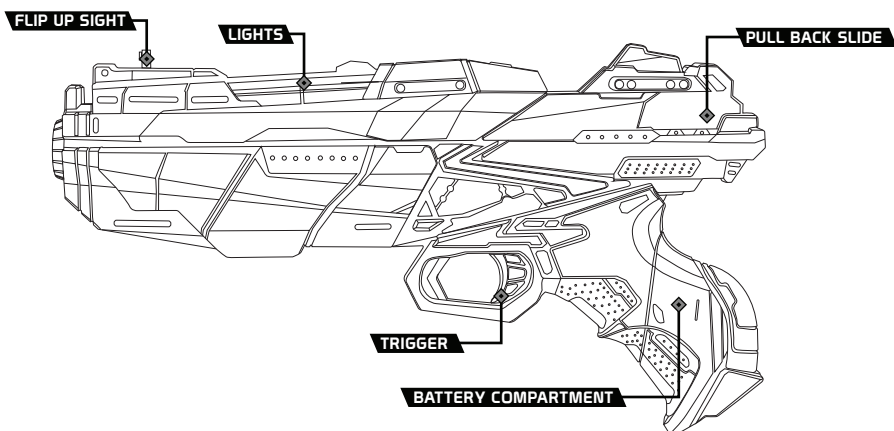
HAVOC

DART BLASTER

GLOW IN THE DARK SPRING PUMP

INSTRUCTION MANUAL

DART BLASTER OVERVIEW:

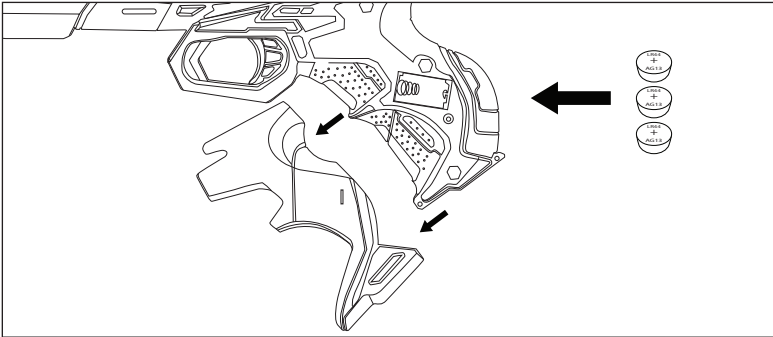


WORLD
TECH
WARRIOR

8+

ITEM NO. 33799

BATTERY INSTALLATION (OPTIONAL)

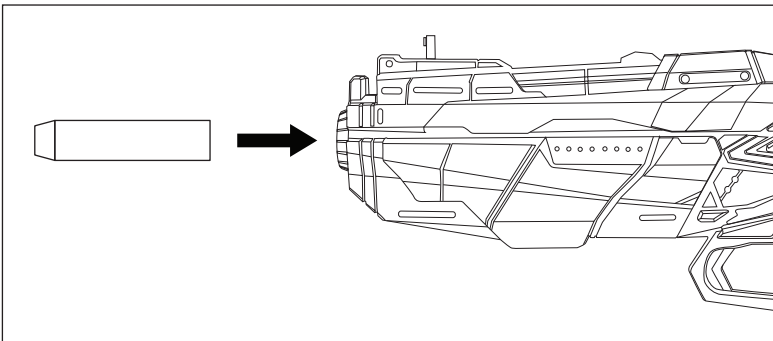


This Blaster has optional light up effects that activate whenever the trigger is pulled, this requires 3 x AG13/LR44 button cell batteries.

To install batteries, carefully pry off grip plate as shown starting at seams of blaster. Use a thin object to work in and pull off evenly.

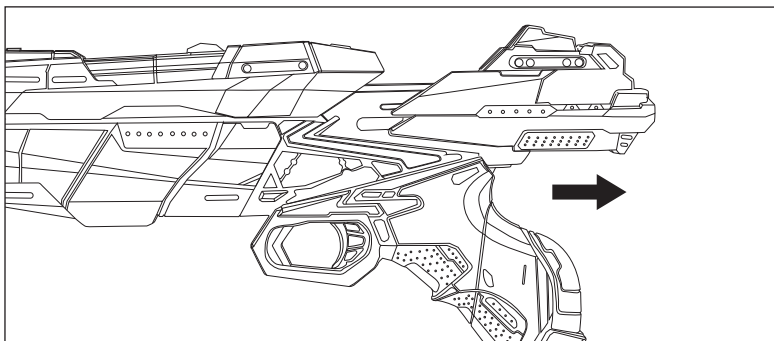
Note the polarity (+ and - marks on batteries) and install with all batteries facing the same direction stacked.

LOADING DART BLASTER

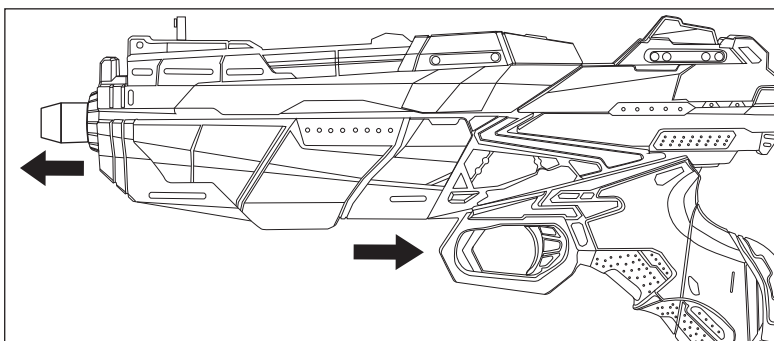


Load a single dart into the barrel as shown. To avoid damage to dart and/or blaster, do not force dart all the way in. About 1/4 of dart should stick out of barrel.

OPERATING DART BLASTER

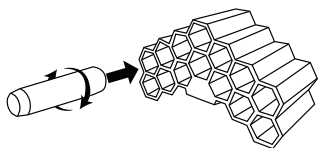


Pull back the slide all the way until you hear a click sound to ready the dart blaster. Slide will return to start position, keep fingers clear.

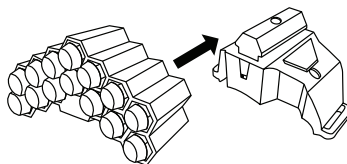


Squeeze the trigger firmly until the dart fires.

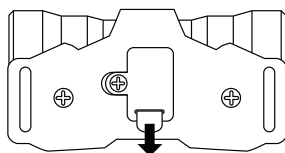
GLOW DART CHARGER OPERATION



1. Load darts into clear cartridge.



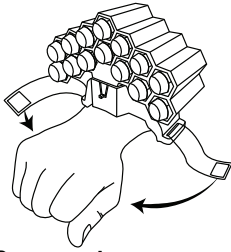
2. Insert cartridge beneath the grooves on the light emitting devices t-slot.



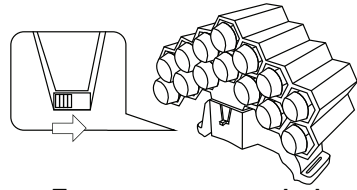
3. Pull sheet from battery compartment beneath the light emitting device.

CONTINUED ON BACK

GLOW DART CHARGER OPERATION (CONT.)



- 4.** Open velcro straps on light emitting device and secure to wrist.



- 5.** Turn on power switch and charge darts at least 30 seconds to glow.

TROUBLESHOOTING DART BLASTER

| PROBLEM | CAUSE | SOLUTION |
|----------------------------------|--|--|
| Blaster does not light up. | Blaster batteries are drained. | Replace the 3 x AG13/LR44 button cell batteries located in grip. |
| Blaster does not fire. | Blaster barrel is empty. | Load blaster with single dart. |
| | Blaster has obstruction. | Remove dart from barrel and remove any obstructions. |
| | Blasters pull back slide was not completely pulled back. | Pull back on slide until a click is heard. |
| Blaster trigger not working. | Blasters pull back slide was not completely pulled back. | Pull back on slide until a click is heard. |
| Darts are firing inconsistently. | Darts are damaged. | Replace the damaged darts. |
| | Blaster has obstruction. | Remove dart from barrel and remove any obstructions. |

SPECIFICATIONS,
COLORS AND CONTENT
MAY VARY FROM ILLUSTRATIONS

MADE IN CHINA

Website: www.worldtechtoys.com
Email: customerserv@worldtechtoys.com
Phone: (877) 498-8697
Monday - Friday / 9:00AM - 5:00PM / Pacific Time

**WORLD
TECH TOYS**

WWW.WORLDTECHTOYS.COM



WARNING:

CHOKING HAZARD—Small parts.
Not for children under 3 years.



CAUTION:

To avoid injuries, do not aim at eyes, face or animals. Do not modify blaster or darts.